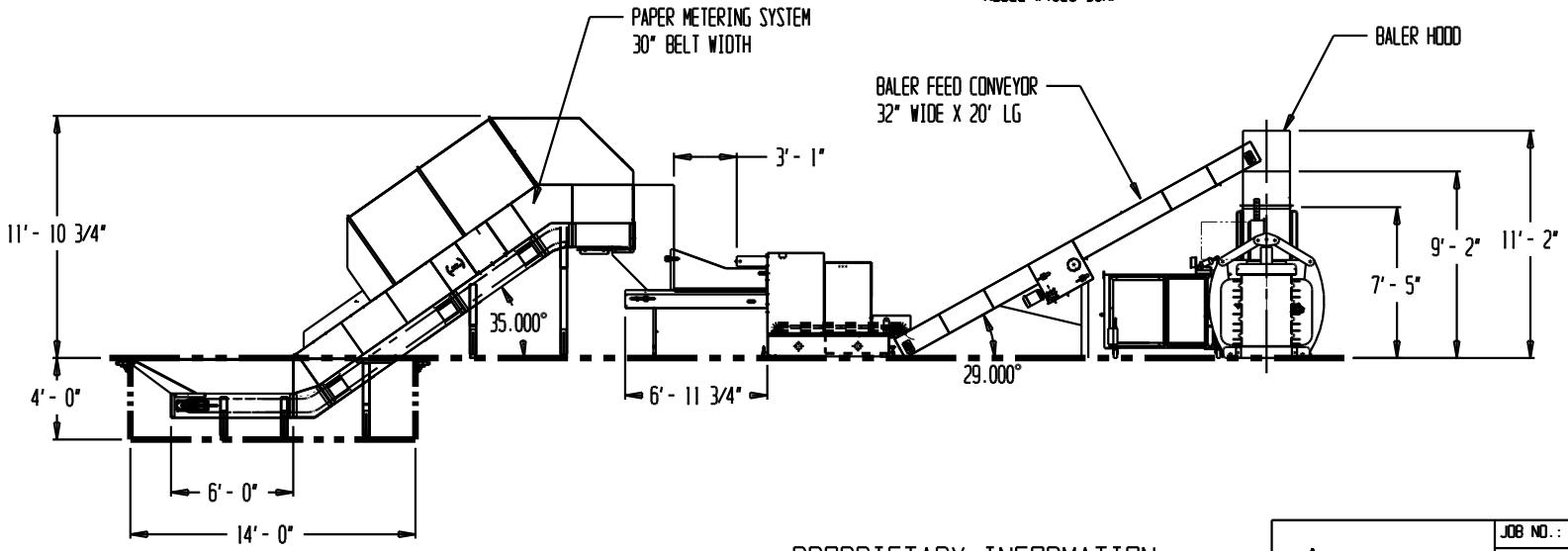


PAPER SHREDDER MODEL #
AMS-5000, 6000, 7500 OR 10000

AMERICAN BALER
MODEL #4029-30HP



APPROVED

AS SHOWN AS NOTED

CO. NAME _____

SIGNATURE _____

DATE _____

PROPRIETARY INFORMATION

THIS DRAWING IS THE CONFIDENTIAL PROPERTY OF AMERI-SHRED CORP. AND TRANSMITTED IN CONFIDENCE. THE REPRODUCTION, USE OR DISCLOSURE, IN WHOLE OR IN PART, OF THE DESIGN OR DETAILS CONTAINED HEREIN IS PROHIBITED WITHOUT THE EXPRESS WRITTEN PERMISSION OF AMERI-SHRED CORP.

	JOB NO.:	TOLERANCES - DO NOT SCALE 2-PLACE DIMS: 1/4"-0.010 3-PLACE DIMS: 1/4"-0.005 4-PLACE DIMS: 1/4"-0.0005 UNLESS OTHERWISE SPECIFIED
	QTY REQ'D:	
	DWG. DATE: 26-JUN-03	
DRAWN BY: J1MLE	APPRD BY:	
MATERIAL:		DRG. NO.:
TITLE: STANDARD LAYOUT SYSTEM #8		