

# HOGGER SHREDDERS

## AMS-PT Pierce & Tear

AMS-PT hopper fed industrial shredders are designed for your specific application. The size of the hopper, motor and cutters will depend on the products, the particle size and the required throughput. We accept samples for product destruction tests.

- RUGGED All Steel Construction
- INNOVATIVE Space Saving Design
- MAXIMUM Torque
- FLEXIBLE Infeed & Output Options
- DOUBLE HOOK Steel Cutters
- ENGINEERED to Specifications



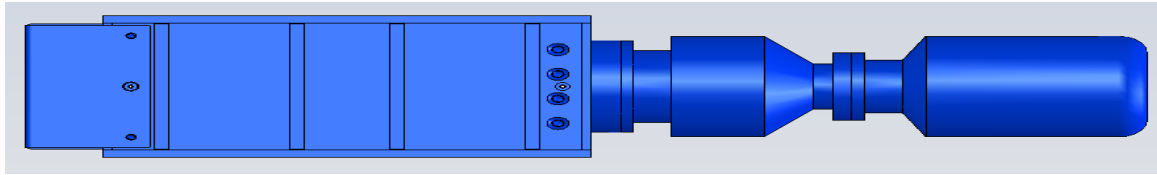
## HOGGER SHREDDER: Pierce & Tear



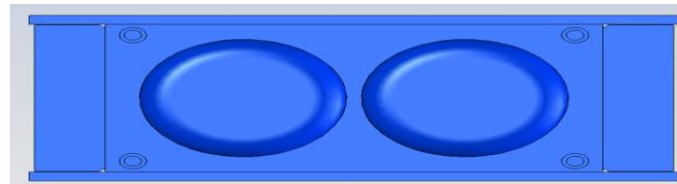
- Cutting chamber can be hopper or conveyor fed.
- This unit will shred any fibrous material including hardcover books, catalogs and full boxes of paper.

- Dual in-line planetary gear reducers deliver maximum torque to the cutting shafts.
- Four grease fittings and two oil level sight gages allow for easy maintenance.



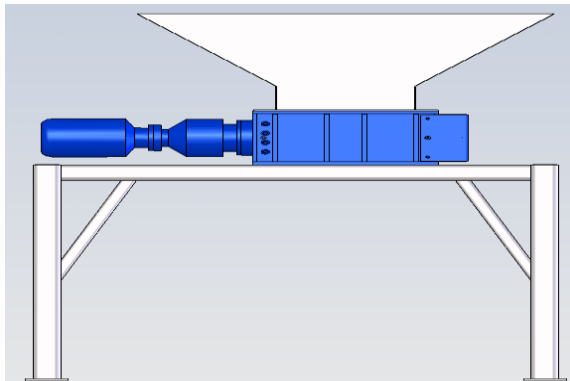


60" LONG

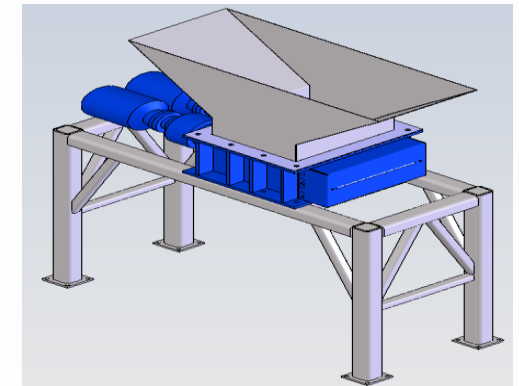


14" HIGH

30" WIDE



**CAN BE MOUNTED ON A  
STAND OVER  
EXISTING EQUIPMENT  
OR CONVEYORS**





**P.O.Box 68**  
**Alpena, MI 49707**

Toll Free: (800) 634-8981

Fax: (989) 358-6122

Email: [info@ameri-shred.com](mailto:info@ameri-shred.com)

Website: [www.ameri-shred.com](http://www.ameri-shred.com)